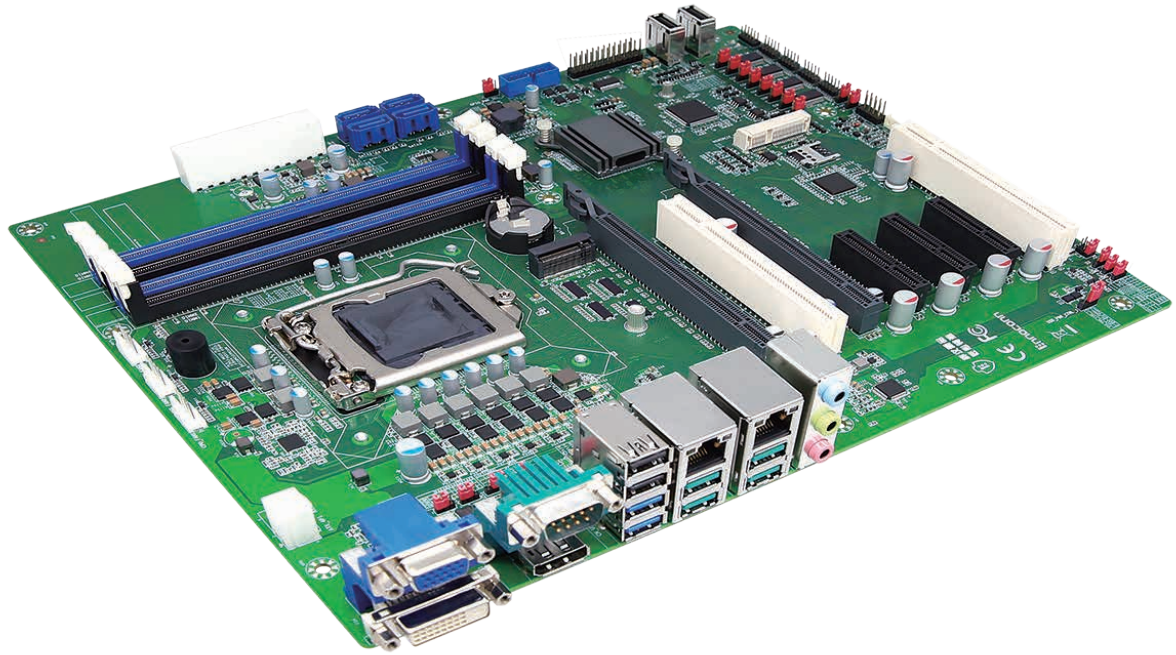


eSBC

by Ennoconn

4000

8/9th Gen Intel® Core™ i7/i5/i3/Pentium®/Celeron® Processor
Embedded ATX Motherboard



- Intel® Core™ i7/i5/i3/Pentium®/Celeron® Processor, TDP up to 95W, support Intel vPro
- Fanless, 0°C to 60°C Operating Temperature
- DDR4 2666MHz U-DIMM memory, up to 128GB
- Dual Independent GigE LAN
- Multiple DisplayPort, DVI-D and VGA display interfaces support triple independent displays
- Expansion support 2 PCIe x16 Gen3, 3 PCIe x4, 2 PCI, 1 Mini-PCIe, 1 M.2 Key M 2242/2280
- 13 USB, 6 COM

Intelligent Control



Self-Service



Public Surveillance



Factory Automation



Vecow

Specifications

System

Processor	Intel® Core™ i7/i5/i3/Pentium®/Celeron® Processor
BIOS	AMI
Chipset	Intel® Q370
Memory	4 DDR4 2666 MHz U-DIMM, up to 128GB
OS	Windows 10, Linux

Graphics

Processor	Intel® HD Graphics 630
Interface	3 display interfaces : - 1 VGA : Up to 1920 x 1200 @60Hz - 1 DVI-D : Up to 1920 x 1200 @60Hz - 1 DisplayPort : Up to 4096 x 2160 @60Hz

Ethernet

LAN 1	Intel® I219LM GigE LAN supports iAMT 12.0
LAN 2	Intel® I211AT GigE LAN

Audio

Audio Codec	Realtek ALC662, 5.1 Channel HD Audio
Audio Interface	1 Line-in, 1 Line-out, 1 Mic-in

I/O Interface

Front I/O	- 4 USB 3.2 Connector - 2 USB 3.0 Connector - 2 USB 2.0 Connector - 1 COM RS232/422/485 Connector - 1 VGA Connector - 1 DVI-D Connector - 1 DisplayPort Connector - 2 RJ45 Connector
Internal I/O	- 2 USB 2.0 Connector - 3 USB 2.0 Header - 1 COM RS232/422/485 Connector - 2 COM RS232/485 Connector - 2 COM RS232 Connector - 1 GPIO Header - 4 SATA III Connector - 1 CPU Fan Connector - 2 System Fan Connector - 1 LPT Header - 1 PS/2 Header

Storage

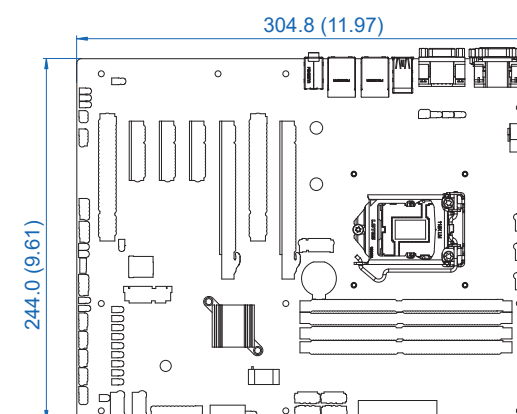
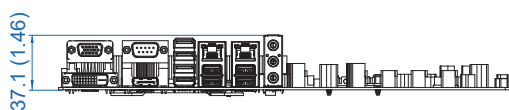
SATA	4 SATA III (6Gbps)
mSATA	1 M.2 Key M Socket (2242/2280, PCIe x4)

Expansion

PCI	2 PCI Slot
PCIe	- 2 PCIe x16 Slot with 1 PCIe x16 or 2 PCIe x8 signal (Gen3) - 3 PCIe x4 Slot
Mini PCIe	1 Mini PCIe Socket for SATA/PCIe/USB

Dimensions & Drawing

Unit : mm (inch)



* All product information may subject to change without prior notice.
* The rights of all brand names, product names and trademarks belong to their respective owners.
Copyright © 2021 Vecow Co., Ltd. All rights reserved.

Power

Power Input	+12V 7.25A +5V 0.58A +3.3V 0.27A 5VSB 0.07A
Power Type	ATX Input
Power Interface	24-pin ATX Power Connector

Others

HW Monitor	Monitoring temperature, voltages. Auto throttling control when CPU overheats
------------	--

Mechanical

Dimensions	304.8mm x 244 mm (11.97" x 9.61")
------------	-----------------------------------

Environment

Operating Temp.	0°C to 60°C (32°F to 147°F)
Storage Temp.	-40°C to 85°C (-40°F to 185°F)
Humidity	5% to 95% Humidity, non-condensing
Relative Humidity	95% @60°C
EMC	CE, FCC

Packing List

eSBC-4000	x1
Driver/User Manual DVD	x1
I/O Shielding	x1
Cable Kit	
- SATA Signal Cable	x1
- COM Port Cabl	x1
- COM Port Cable (2 ports)	x1

Order Information

Model	GigE LAN	M.2	USB 3.2	USB 3.0	USB 2.0	COM
eSBC-4000	2	1	4	2	7	6

CPU List

Series	CPU	Cores	GHz	TDP (W)	CPU	Cores	GHz	TDP (W)	ECC RAM
Intel® Core™	i7-8700	6	4.6	65	i7-9700E	8	4.4	65	N/A
	i7-8700T	6	4	35	i7-9700TE	8	3.8	35	
	i5-8500	6	4.1	65	i5-9500E	6	4.2	65	
	i5-8500T	6	3.5	35	i5-9500TE	6	3.6	35	Yes
	i3-8100	4	3.6	65	i3-9100E	4	3.7	65	
	i3-8100T	4	3.1	35	i3-9100TE	4	3.2	35	

Optional Accessories

61-1300011-100	SATA Data Cable
61-1390910-3QM	COM Port Cable
61-1392920-3QM	COM port Cable (2 ports)